



北亿纤通科技有限公司

F-TONE GROUP 集团旗下

北亿纤通科技有限公司

F-TONE GROUP 集团旗下

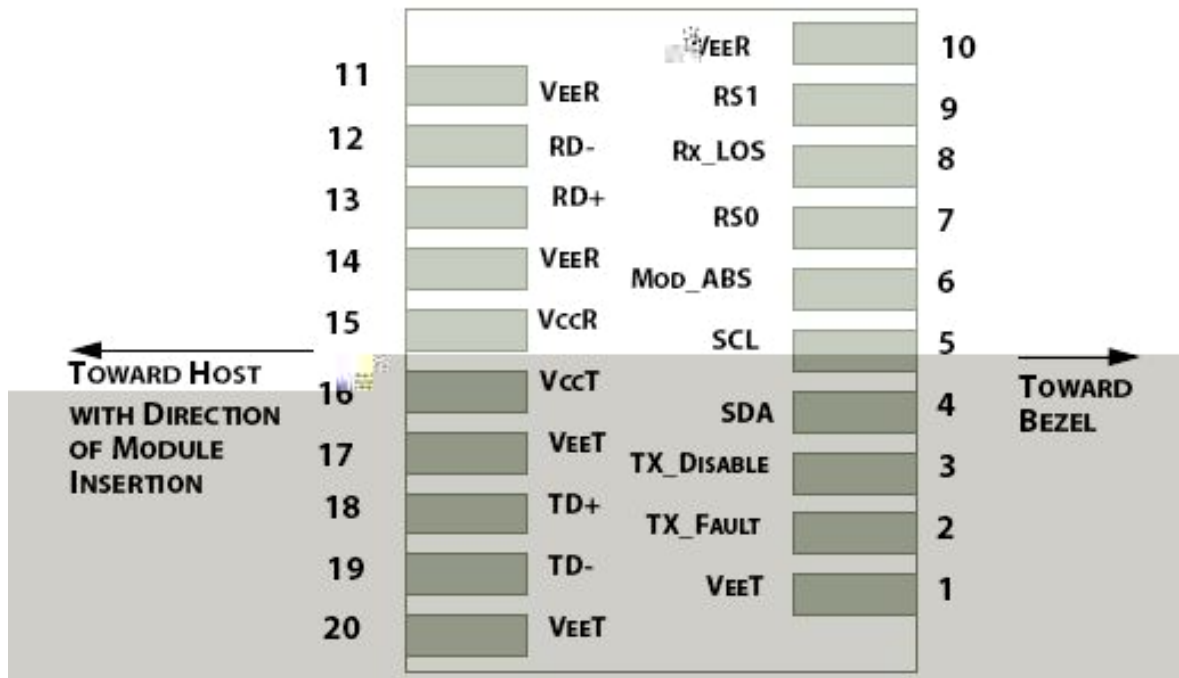


Figure 1: Interface to Host PCB

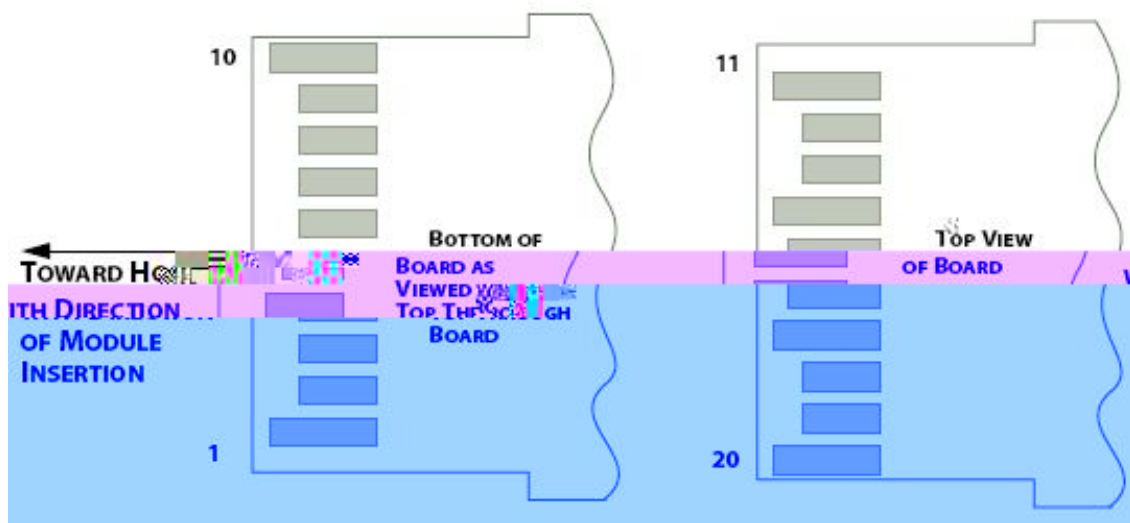


Figure 2: Module Contact Assignment

Pin definition



F-tone Networks

北亿纤通科技有限公司

F-TONE GROUP 集团旗下

Pin	Symbol	Name/Description
		<input data-bbox="1251 315 1298 349" type="checkbox"/>

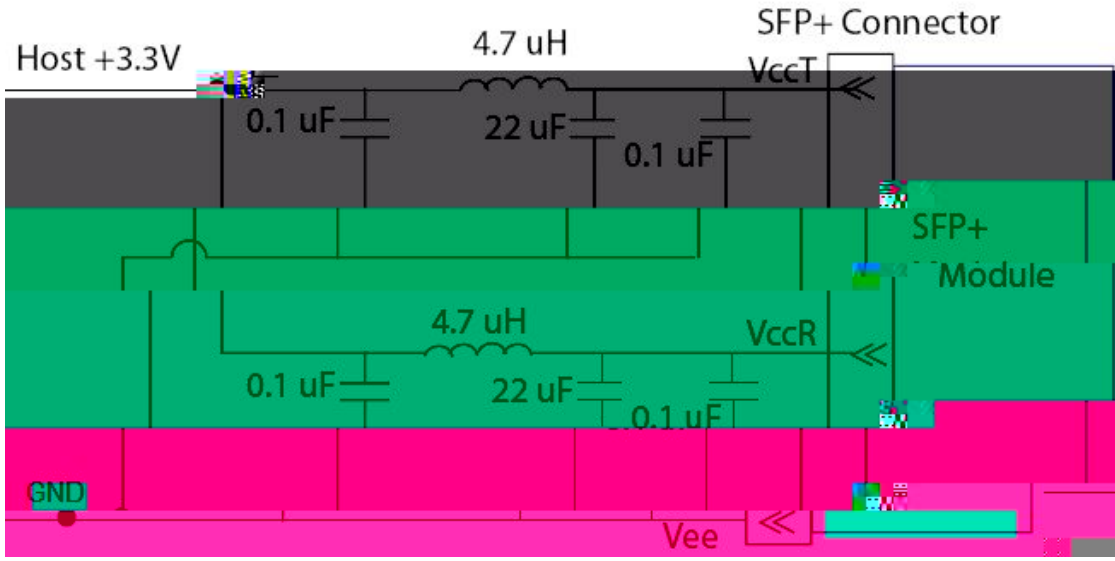


Figure3. Host Board Power Supply Filters Circuit

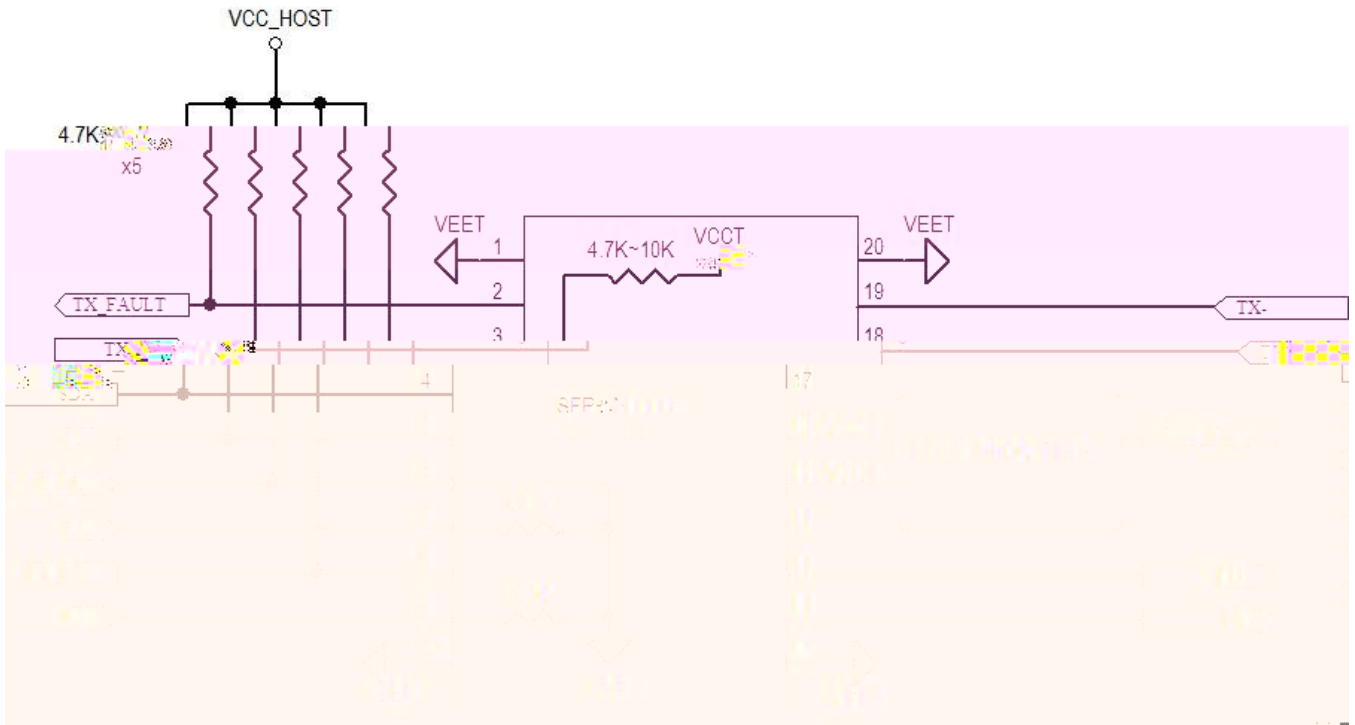


Figure4. Host-Module Interface

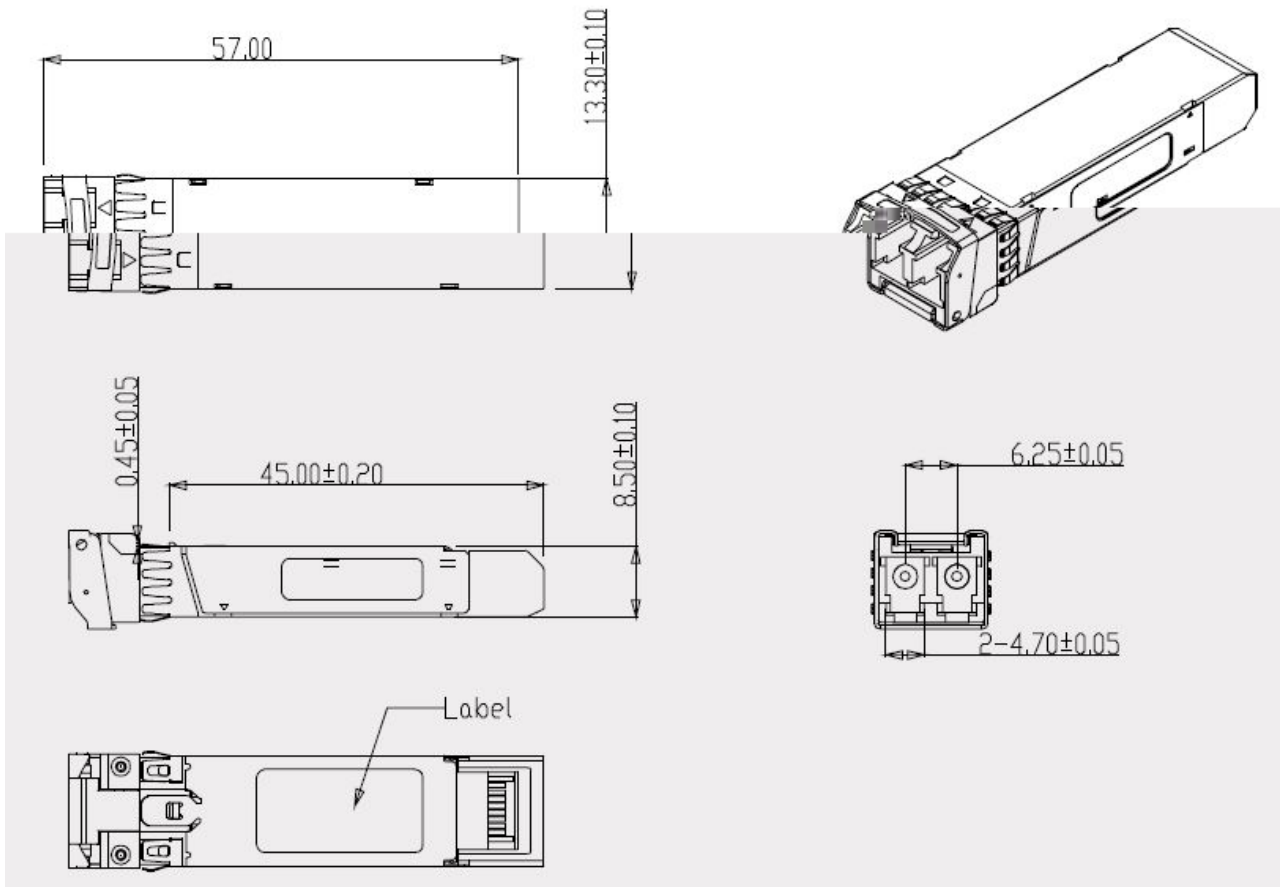


Figure5. Mechanical Specifications

Regulatory Compliance



Feature	Agency	Standard



Ordering information

Part Number	Product Description

References



Important Notice

